

E/FFDF

GIUNTI ELASTICI A PIOLI con disco freno o fascia freno
ELASTIC COUPLINGS with brake drum or brake disc

Giunto standard: ghisa UNI EN 1561 EN-GJL-HB 200

Standard coupling: cast iron UNI EN 1561 EN-GJL-HB 200

Perni standard: acciaio fosfatato al manganese

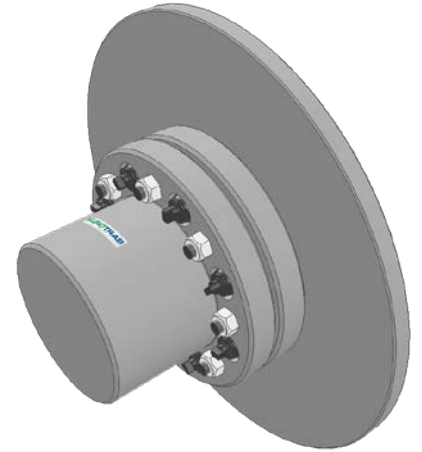
Standard pivots: manganese phosphated steel

Piolo in gomma: Shore 75-80 temperatura di esercizio -20° +80°

Rubber pin: Shore 75-80 operating temperature -20° +80°

Fascia freno/Disco freno: acciaio UNI EN 10297-1-E355+AR

Brake drum / Brake disc: steel UNI EN 10297-1-E355+AR



Grandezza Size	T _{KN} [Nm]	T _{K max} [Nm]	Velocità Massima [giri/min] Max Speed [rpm]	Ø grezzo/max. raw/max. [mm]	F [mm]	L [mm]	H [mm]	K [mm]	M [mm]	S [mm]	A-B C-D-I [mm]	N° perni Corti short Pivot	N° Perni Lunghi long Pivot	Ø perni Pivot [mm]
E120FFDF	95	190	6100	- / 45	120	143	3	20	71	70	A richiesta Upon request	5	5	8XM8
E140FFDF	220	440	6050	- / 55	140	163	3	20	85	80		7	7	8XM8
E160FFDF	350	700	6000	- / 60	160	183	3	20	102	90		8	8	8XM8
E180FFDF	600	1200	5300	- / 65	180	204	4	25	103	100		6	6	12XM12
E200FFDF	900	1800	4500	- / 75	200	234	4	25	116	115		7	7	12XM12
E225FFDF	1300	2600	4000	40 / 90	225	264	4	25	145	130		8	8	12XM12
E250FFDF	1800	3600	3600	42 / 95	250	305	5	38	147	150		7	7	18XM18
E300FFDF	2600	5200	3200	50 / 110	300	365	5	38	182	180		8	8	18XM18
E350FFDF	4600	9200	3000	60 / 120	350	406	6	60	200	200		6	6	25XM24
E400FFDF	6500	13000	2500	70 / 140	400	446	6	60	232	220		7	7	25XM24
E450FFDF	10500	21000	2200	75 / 160	445	487	7	72	253	240		6	6	32XM32
E500FFDF	14500	29000	1800	75 / 180	495	527	7	72	288	260		7	7	32XM32
E550FFDF	21000	42000	1600	75 / 210	545	567	7	72	322	280		8	8	32XM30
E630FFDF	28000	56000	1400	90 / 250	625	567	7	90	375	280		7	7	45XM30
E680FFDF	36000	72000	1200	90 / 270	680	567	7	90	405	280		7	7	45XM30
E800FFDF	75000	150000	1000	130 / 280	795	607	7	90	420	300		10	10	45XM30
E900FFDF	95000	190000	900	130 / 300	895	607	7	90	448	300		11	11	45XM30
E1100FFDF	146000	292000	760	130 / 350	1100	807	7	90	550	400		14	14	45XM30

