

# R

**GIUNTI RIGIDI**  
**RIGID COUPLINGS**

**Giunto standard:** ghisa UNI EN 1561 EN-GJL-HB 200

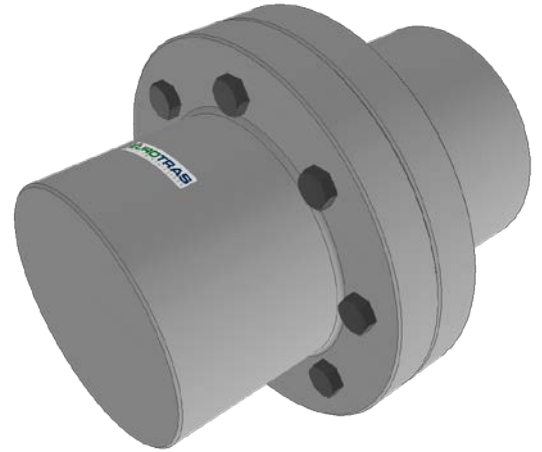
**Standard coupling:** cast iron UNI EN 1561 EN-GJL-HB 200

**Perni standard:** acciaio fosfatato al manganese

**Standard pivot:** manganese phosphated steel

A richiesta giunto completamente in C45 o INOX

*Coupling completely made of C45 or stainless steel upon request*



Grandezza Size	T <sub>KN</sub> [Nm]	T <sub>K max</sub> [Nm]	Velocità massima [giri/min] Max. speed [rpm]	Ø grezzo/max. raw/max. [mm]	F [mm]	L [mm]	K [mm]	M [mm]	S [mm]	N° perni Pivot	Ø Perni Pivot [mm]	Peso weight [Kg]
R100	250	500	6050	- / 32	100	130	20	55	60	4	8XM8	4,5
R120	430	860	6000	- / 45	120	140	20	71	70	5	8XM8	6
R140	750	1500	5300	- / 55	140	160	20	85	80	7	8XM8	9
R160	1250	2500	4500	- / 60	160	180	20	102	90	8	8XM8	14
R180	1600	3200	4000	- / 65	180	200	25	103	100	6	12XM12	17
R200	2200	4400	3600	- / 75	200	230	25	118	115	7	12XM12	27
R225	3150	6300	3200	40 / 90	225	260	25	145	130	8	12XM12	47
R250	5500	11000	3000	45 / 95	250	300	38	147	150	7	18XM18	55
R300	7800	15600	2500	50 / 110	300	360	38	182	180	8	18XM18	85
R350	12000	24000	2200	60 / 120	350	400	60	200	200	6	24XM24	130
R400	18000	36000	1800	70 / 140	400	440	60	230	220	7	24XM24	190
R450	25000	50000	1600	75 / 160	445	480	72	252	240	7	32XM30	260
R500	38000	76000	1400	75 / 180	495	520	72	288	260	7	32XM30	350
R550	60000	120000	1200	75 / 210	545	560	72	322	280	8	32XM30	450

