

F/LCDF

GIUNTI FLESSIBILI A LAMELLE con disco freno
FLEXIBLE LAMELLAE COUPLINGS with brake disc

Giunto standard: acciaio UNI EN 10277 C45

Standard coupling: steel UNI EN 10277 C45

Perni standard: acciaio fosfatato al manganese

Standard pivot: manganese phosphated steel

Pacco lamellare A: acciaio fosfatato al manganese temperatura di esercizio -30° +120°

Lamellae pack A: manganese phosphated steel operating temperature -30° +120°

Disco freno: acciaio UNI EN 10297-1-E355+AR

Brakedisc: steel UNI EN 10297-1-E355+AR

A richiesta giunto completamente in INOX

Entirely stainless steel coupling upon request

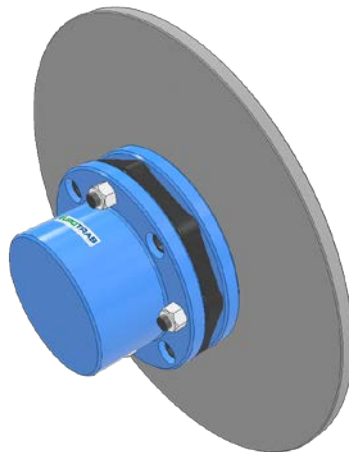
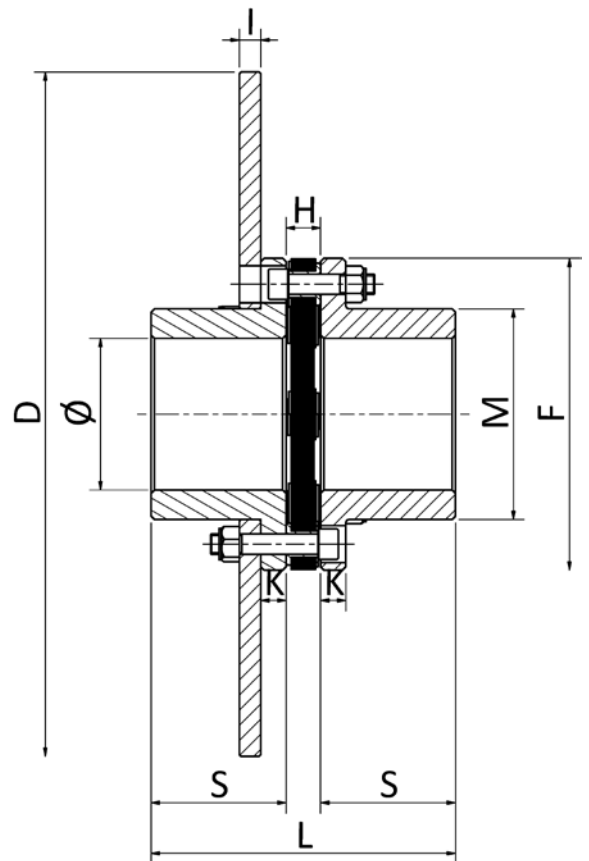
Varianti/Variants:

F xxx LCDFA → Pacco lamellare: lamelle C67/bussole AVP/bulloni 8.8/dadi 8(6S)

Lamellae pack: lamellae C67/AVP bushes/8.8 bolts/nuts 8(6S)

F xxx LCDFB → Pacco lamellare: lamelle/bussole/bulloni/dadi in INOX 316

Lamellae pack: lamellae/bushes/bolts/nuts in INOX 316



Grandezza Size	T _{KN} [Nm]	T _{K max} [Nm]	Velocità Massima [giri/min] Max Speed [rpm]	Ø grezzo/max. raw/max. [mm]	F [mm]	L [mm]	H [mm]	K [mm]	M [mm]	S [mm]	I-D [mm]	N° Perni corti short Pivot	N° Perni lunghi long Pivot	Ø Perni Pivot [mm]
F95LCDF	640	1280	10800	- / 35	90	81	11	10	48	35	A richiesta Upon request	2	2	10XM10
F110LCDF	920	1840	10800	- / 50	110	121	11	10	66	55		3	3	10XM10
F135LCDF	1420	2840	10800	- / 60	135	143	13	12	80	65		3	3	12XM12
F150LCDF	1600	3200	9540	- / 70	150	163	13	14	95	75		3	3	12XM12
F186LCDF	2800	5600	7200	- / 95	185	180	20	15	125	80		4	4	12XM12
F216LCDF	3500	7000	5940	- / 100	215	210	20	20	145	95		4	4	12XM12
F227LCDF	7200	14400	5760	45 / 100	225	248	28	25	134	110		2	2	24XM24
F250LCDF	12000	24000	5400	45 / 120	250	268	28	38	158	120		3	3	24XM24
F300LCDF	18000	36000	4500	50 / 147	300	318	28	38	206	145		3	3	24XM24
F350LCDF	27000	54000	3960	60 / 180	350	377	37	60	260	170		4	4	24XM24
F400LCDF	36000	72000	3240	70 / 200	400	437	37	60	282	200		5	5	24XM24
F450LCDF	50000	100000	2880	75 / 220	450	457	37	72	340	210		6	6	24XM24
F500LCDF	70000	140000	2520	75 / 260	500	537	37	72	400	250		7	7	24XM24
F550LCDF	88000	176000	2160	75 / 300	550	577	37	72	440	270		8	8	24XM24
F630LCDF	180000	360000	1800	90 / 300	630	648	58	90	430	295		6	6	45XM30
F730LCDF	220000	440000	1620	130 / 350	730	678	58	90	500	310		7	7	45XM30
F830LCDF	290000	580000	1368	130 / 400	830	698	58	90	615	320		8	8	45XM30
F900LCDF	370000	740000	1224	130 / 480	900	738	58	90	700	340		9	9	45XM30