

E/PXTS

TRASMISSIONI ELASTICHE A PIOLI per grandi potenze con supporto
PINS ELASTIC TRANSMISSIONS for great powers with support

Giunto standard: acciaio 39NiCrMo3 bonificato

Standard coupling: steel 39NiCrMo3 hardened and tempered

Perni standard: acciaio 39NiCrMo3 bonificato con fosfatazione al manganese

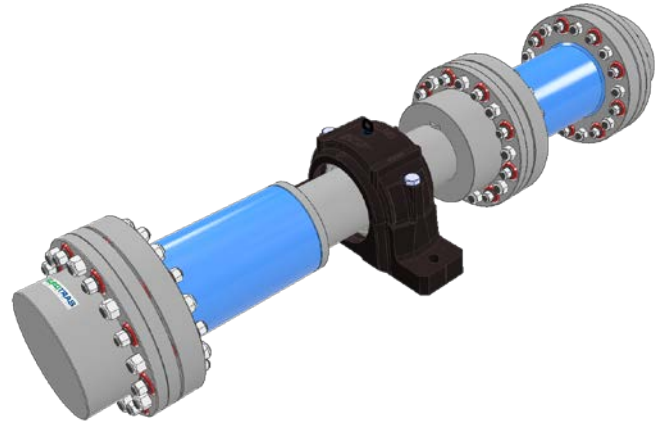
Standard pivot: steel 39NiCrMo3 hardened and tempered with manganese phosphated

Piolo in gomma: NBR 90 shore A per temperatura di esercizio -50°+100°

Rubber pin: NBR 90 shore A operating temperature -50°+100°

Allunga centrale: acciaio UNI EN 10305-1-E235+A

Central spacer: steel UNI EN 10305-1-E235+A



Grandezza Size	T _{KN} [Nm]	T _{Kmax} [Nm]	Velocità massima [giri/min] Max. speed [rpm]	Ø grezzo/max. raw/max. [mm]	F [mm]	L L1 [mm]	H [mm]	K [mm]	M [mm]	S [mm]	N° Perni Pivot	Ø Perni Pivot [mm]
E85PXTS	240	480	10000	- / 25	85	A richiesta Upon request	3	20	38	40	24	8
E115PXTS	560	1120	9800	- / 50	115		3	20	69	40	42	8
E130PXTS	750	1500	8800	- / 50	130		3	20	83	40	48	8
E150PXTS	1200	2400	7500	- / 55	150		4	25	83	45	36	12
E170PXTS	2000	4000	6900	- / 70	170		4	25	103	55	42	12
E190PXTS	2500	5000	5500	- / 80	190		4	25	123	60	48	12
E220PXTS	3700	7400	4900	- / 85	220		5	38	130	70	36	18
E240PXTS	5000	10000	4300	- / 95	240		5	38	146	80	42	18
E270PXTS	7000	14000	3900	- / 110	270		5	38	176	90	48	18
E320PXTS	11200	22400	3500	- / 140	320		5	38	226	110	60	18
E350PXTS	14000	28000	3100	- / 140	350		6	60	216	115	42	25
E380PXTS	16500	33000	3000	- / 150	380		6	60	246	120	48	25
E400PXTS	21000	42000	2800	- / 155	400		7	72	233	125	36	32
E430PXTS	26000	52000	2600	- / 165	430		7	72	263	140	42	32
E490PXTS	35000	70000	2400	- / 200	490		7	72	323	160	48	32
E550PXTS	50000	100000	2000	- / 230	550		7	72	383	185	54	32
E600PXTS	80000	160000	1900	- / 240	600		7	90	379	195	42	45
E630PXTS	100000	200000	1800	- / 250	630		7	90	409	200	48	45
E680PXTS	110000	220000	1600	- / 280	680		7	90	459	220	48	45
E780PXTS	160000	320000	1400	- / 350	780		7	90	559	280	60	45
E880PXTS	200000	400000	900	- / 400	880		7	90	659	300	66	45
E980PXTS	270000	540000	810	- / 450	980		7	90	759	320	78	45
E1200PXTS	350000	700000	650	- / 500	1200		8	100	846	350	60	65
E1350PXTS	450000	900000	570	- / 600	1350		8	100	996	-	66	65
E1450PXTS	580000	1160000	540	- / 650	1450		9	120	1056	-	60	70
E1600PXTS	780000	1560000	500	- / 700	1600		9	120	1206	-	72	70
E1800PXTS	1200000	2400000	450	- / 800	1800		12	140	1356	-	72	80
E2000PXTS	1500000	3000000	400	- / 950	2000		12	140	1556	-	78	80

