

E/PE

GIUNTI ELASTICI A PIOLI con perni seeger-dado
PINS ELASTIC COUPLINGS with pivots seeger-nut

Giunto standard: ghisa UNI EN 1561 EN-GJL-HB 200

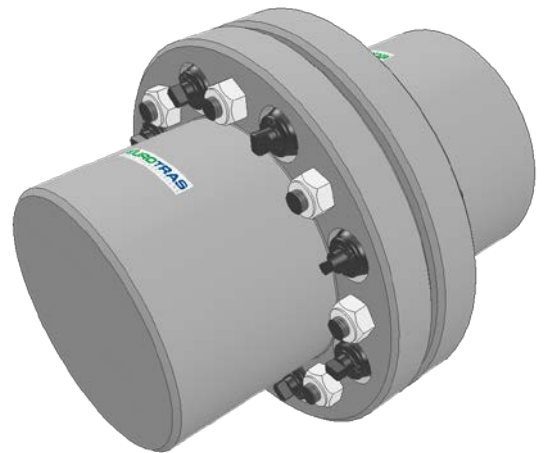
Standard coupling: cast iron UNI EN 1561 EN-GJL-HB 200

Perni standard: acciaio fosfatato al manganese

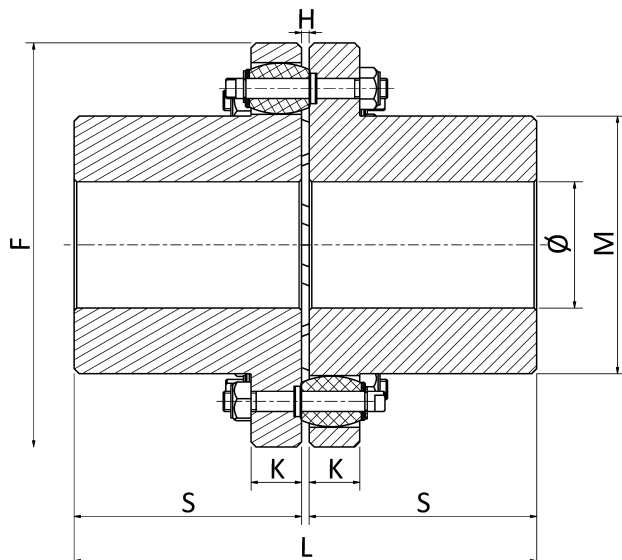
Standard pivots: manganese phosphated steel

Piolo in gomma: Shore 75-80 temperatura di esercizio -20° +80

Rubber pin: Shore 75-80 operating temperature -20° +80°



Grandezza Size	T _{KN} [Nm]	T _{Kmax} [Nm]	Velocità Massima [giri/min] Max Speed [rpm]	Ø grezzo/max. raw/max. [mm]	F [mm]	L [mm]	H [mm]	K [mm]	M [mm]	S [mm]	N° Perni Pivot	Ø Perni Pivot [mm]	peso weight [Kg]
E85PE	95	190	6100	- / 24	85	113	3	20	39	55	4	8XM8	2,3
E100PE	220	440	6050	- / 32	100	123	3	20	55	60	8	8XM8	3,7
E120PE	350	700	6000	- / 45	120	143	3	20	71	70	10	8XM8	6
E140PE	600	1200	5300	- / 55	140	163	3	20	85	80	14	8XM8	9
E160PE	900	1800	4500	- / 60	160	183	3	20	102	90	16	8XM8	14
E180PE	1300	2600	4000	- / 65	180	204	4	25	103	100	12	12XM12	18
E200PE	1800	3600	3600	- / 75	200	234	4	25	116	115	14	12XM12	25
E225PE	2600	5200	3200	40 / 90	225	264	4	25	145	130	16	12XM12	37
E250PE	4600	9200	3000	42 / 95	250	305	5	38	147	150	14	18XM18	50,5
E300PE	6500	13000	2500	50 / 110	300	365	5	38	182	180	16	18XM18	86,5
E350PE	10500	21000	2200	60 / 120	350	406	6	60	200	200	12	25XM24	133,7
E400PE	14500	29000	1800	70 / 140	400	446	6	60	232	220	14	25XM24	189
E450PE	21000	42000	1600	75 / 160	445	487	7	72	253	240	12	32XM30	260
E500PE	28000	56000	1400	75 / 180	495	527	7	72	288	260	14	32XM30	351
E550PE	36000	72000	1200	75 / 210	545	567	7	72	322	280	16	32XM30	459
E630PE	75000	150000	1000	90 / 250	625	567	7	90	375	280	14	45XM24	647
E680PE	95000	190000	900	90 / 270	680	567	7	90	405	280	16	45XM24	769
E800PE	146000	292000	760	130 / 280	795	607	7	90	420	300	20	45XM24	968
E900PE	200000	400000	680	130 / 300	895	607	7	90	448	300	22	45XM24	1204
E1100PE	300000	600000	600	130 / 350	1100	807	7	90	550	400	28	45XM24	2174
E1250PE	350000	700000	600	180 / 380	1250	848,5	8,5	100	610	420	20	65XM24	2852
E1400PE	530000	1060000	570	200 / 440	1400	969	9	120	700	480	20	70XM30	4263
E1600PE	750000	1500000	500	260 / 480	1600	1089	9	120	770	540	24	70XM30	5672
E1800PE	975000	1950000	450	320 / 540	1800	1212	12	140	870	600	22	80XM36	8160
E2000PE	1300000	2600000	400	380 / 600	2000	1332	12	140	960	660	26	80XM36	10426



E630PE fino E2000PE
E630PE to E2000PE

